

# ML-3000



LABEL  
PRINTER  
PRINTHEAD / 3-4"



Wi-Fi  
OPTIONAL



8,000 PLUs  
OPTIONAL



METROLOGICAL  
VERIFICATION  
OPTIONAL

## Outstanding functions

- Labelling of fix/variable weight/price.
- Orders management.
- Generic traceability on label.
- Adapted to comply with EU Regulation 1169/2011 referring to food information.
- Barcodes:
  - EAN-8, EAN-13, EAN-128, CODE 128, ITF-14, GS1 Datamatrix and GS1 Databar (up to 4 codes per label).

## Weighing

- Single load cell 600 x 600 mm platform, 60 kg / 20 g range.

## Labelling system

- **Printing type:**
  - Direct Thermal (DT) or Thermal Transfer (TT) (depending on the models).
- **Printhead:**
  - Long-lasting 3" or 4" (depending on the models).
- **Resolution:**
  - 8 dots/mm.

## Labels

- **Dimensions depending on the inches of the printhead:**
  - 3" printhead: from W30 x L30 mm, up to W80 x L300 mm.
  - 4" printhead: from W30 x L30 mm, up to W102 x L300 mm.

## Construction

- **Support structure:**
  - AISI 304 stainless steel with wheels.
- **Platform structure:**
  - Protected iron, stainless steel plate and aluminium load cell.
- **Labeller structure:**
  - AISI 304 stainless steel and texturised ABS.
- **Console:**
  - Stainless steel.
  - "Qwerty" keypad and backlit graphic LCD display.

## Communications to PC

- Ethernet TCP/IP.
- RS-232/422/485.

## PC Software

- **RMS:** For equipment configuration, production data management and back up (LBS).
- **DLD:** For graphic design of labels.
- **Integration tools:** See section on software.

## Power supply

- **Electrical:** 230 V/50 Hz; 115 V/60 Hz.

## Possible of integration with other equipment

- Dibal weight indicators.
- Printers with Serial protocol.
- Dibal LP-3000 manual weigh-price labeller.

## MODELS:

### ML-3300 IV

- 3" printhead with direct thermal printing.
- Printing speed: 150 mm/second.

### ML-3300 IVT

- 4" printhead with thermal transfer or direct thermal printing.
- Printing speed: 150 mm/second.

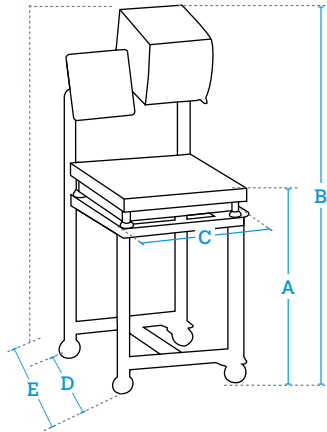
### ML-3400 IV

- 4" printhead with direct thermal printing.
- Printing speed: 150 mm/second.

### ML-3400 IVT

- 4" printhead with thermal transfer or direct thermal printing.
- Printing speed: 150 mm/second.

## DIMENSIONS



### DATA IN mm

A	925
B	1,590
C	680
D	600
E	840

## Options

Option	Characteristics	Ref.
Input/Output control (I/O)	For connection to external devices.	Contact us
Other 600 x 600 mm platforms	For other materials and ranges, see section on platforms. Contact us for available models.	Contact us
Wi-Fi	Wireless communications.	Contact us
RMS Software	Equipment configuration, production data management and back up (LBS). (See section on software)	7340R1U3 7340RNU3
DLD Software	Graphic design of labels. (See section on software)	7340L1U3 7340LNU3
Packed in phytosanitary wood case	Necessary depending on the destination.	PEEC080F
Metrological verification (M)	According to EU weighing directives for labeller and platform assemblies. (See section on equipment metrological verification)	Contact us

## Accessories



Ref: BC-745 + BL-5653

### Barcode reader

Scanner. Cable for connection to the labeller included.



Ref: BC-668 + BL-5653

### Barcode reader

- Wireless.

Scanner. Cable for connection between the wireless scanner base and the labeller included.



Ref: BE-AD1111

### RW-3000 External label rewriter