

LP-3000



CONNECTABLE
TO PLATFORM UP TO
4 LOAD CELLS



LABEL
PRINTER
PRINthead / 3-4"



8,000 PLUs
MEMORY



Wi-Fi
OPTIONAL



METROLOGICAL
VERIFICATION
OPTIONAL

Outstanding functions

- Labelling of fix/variable weight/price.
- Orders management.
- Labelling of totals.
- Generic traceability on label.
- Adapted to comply with EU Regulation 1169/2011 referring to food information.
- Barcodes:
 - EAN-8, EAN-13, EAN-128, CODE 128, ITF-14, GS1 Datamatrix and GS1 Databar (up to 4 codes per label).

Weighing (optional)

- Connection to 1 or 4 load cells platform.
- Connection to a 2nd platform through a Dibal weight indicator (DMI-610 or DMI-620).

Labelling system

- Printing type:
 - Direct Thermal (DT) or Thermal Transfer (TT) (depending on the models).

- Printhead:
 - Long-lasting 3" or 4" (depending on the models).
- Resolution:
 - 8 dots/mm.

Labels

- Dimensions depending on the inches of the printhead:
 - 3" printhead: from W30 x L30 mm, up to W80 x L300 mm.
 - 4" printhead: from W30 x L30 mm, up to W102 x L300 mm.

Construction

- Structure:
 - AISI 304 stainless steel and texturised ABS.
- Console:
 - Stainless steel.
 - "Qwerty" keypad and backlit graphic LCD display.

Communication to PC

- Ethernet TCP/IP.
- RS-232/422/485.

PC Software

- RMS: For equipment configuration, production data management and back up (LBS).
- DLD: For graphic design of labels.
- Integration tools: See section on software.

Power supply

- Electrical: 230 V/50 Hz; 115 V/60 Hz.

Possible integration with other equipment

- 1 or 4 load cells weighing platform.
- Dibal LS-3000 and LS-4000 automatic weigh-price labeller.
- Dibal weight indicator.
- Printer with Serial protocol.
- Another LP-3000.

MODELS WITH WEIGHING PLATE

LP-3300 IV

- 3" printhead with direct thermal printing.
- Printing speed: 150 mm/second.

Ref.: 75LPR3509Z__

LP-3300 IVT

- 3" printhead with thermal transfer or direct thermal printing.
- Printing speed: 150 mm/second.

Ref.: 75LPR3508Z__

LP-3400 IV

- 4" printhead with direct thermal printing.
- Printing speed: 150 mm/second.

Ref.: 75LPR3609Z__

LP-3400 IVT

- 4" printhead with thermal transfer or direct thermal printing.
- Printing speed: 150 mm/second.

Ref.: 75LPR3608Z__

MODELS WITHOUT WEIGHING PLATE

LP-3300 I

- 3" printhead with direct thermal printing.
- Printing speed: 150 mm/second.

Ref.: 75LPR3511Z__

LP-3300 IT

- 3" printhead with thermal transfer or direct thermal printing.
- Printing speed: 150 mm/second.

Ref.: 75LPR3510Z__

LP-3400 I

- 4" printhead with direct thermal printing.
- Printing speed: 150 mm/second.

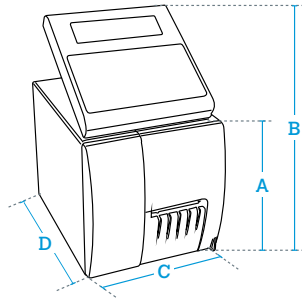
Ref.: 75LPR3611Z__

LP-3400 IT

- 4" printhead with thermal transfer or direct thermal printing.
- Printing speed: 150 mm/second.

Ref.: 75LPR3610Z__

DIMENSIONS



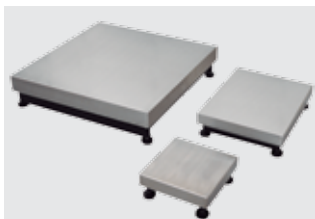
DATA IN mm

A	300
B	485
C	296
D	424

Options

Option	Characteristics	Ref.
Input/Output control (I/O)	For connection to external devices.	Contact us
Wi-Fi	Wireless communications.	Contact us
RMS Software	Equipment configuration, production data management and data back up (LBS). (See section on software)	7340R1U3 7340RNU3
DLD Software	Graphic design of labels. (See section on software)	7340L1U3 7340LNU3
Metrological verification (M)	According to EU weighing directives for weighing labeller and platform assemblies. For LP-3000 with weighing plate. (See section on equipment metrological verification)	Contact us

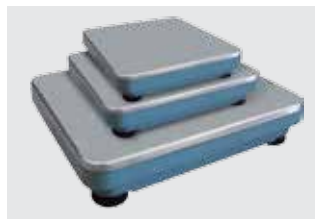
Accessories



Ref: Contact us

ME Series single load cell platforms (monorange)

- 3 versions (see section on Platforms for further information).
Only for LP-3000 with weighing plate.
For multirange option, contact us.



Ref: Contact us

MA Series single load cell platforms (monorange)

- Iron structure, aluminium load cell, stainless steel plate.
Only for LP-3000 with weighing plate.



Ref: 7POS000LNE_

DP Series single load cell platform (monorange)

- Aluminium/plastic structure, aluminium load cell, stainless steel plate.
Only for LP-3000 with weighing plate.
For multirange option, contact us.



Ref: BC-745 + BL-5653

Barcode reader

Scanner. Cable for connection to the labeller included.



Ref: BC-668 + BL-5653

Barcode readers

- Wireless.
Scanner. Cable for connection between the wireless scanner base and the labeller included.



Ref: 493603A

Stainless steel box with legs

Mounting bracket for the weigh-price labeller.



Ref: 75000978

Stainless steel box with brackets

Mounting bracket for the weigh-price labeller.



Ref: BE-AD1111

RW-3000 external label rewinder